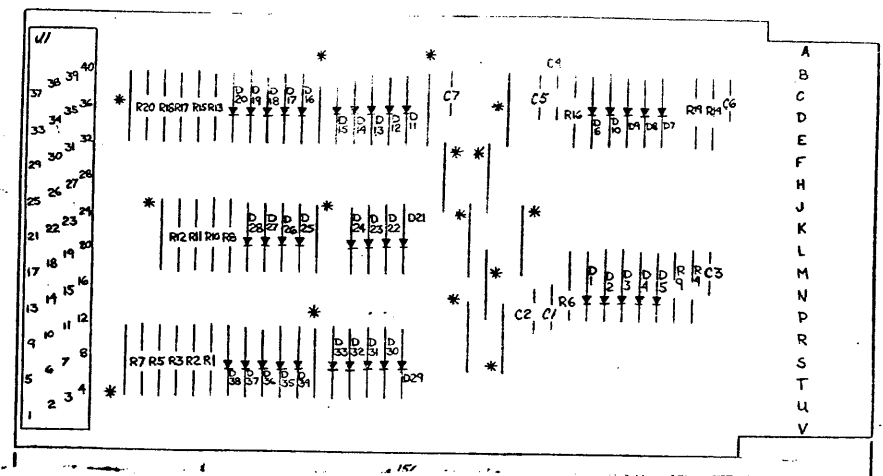
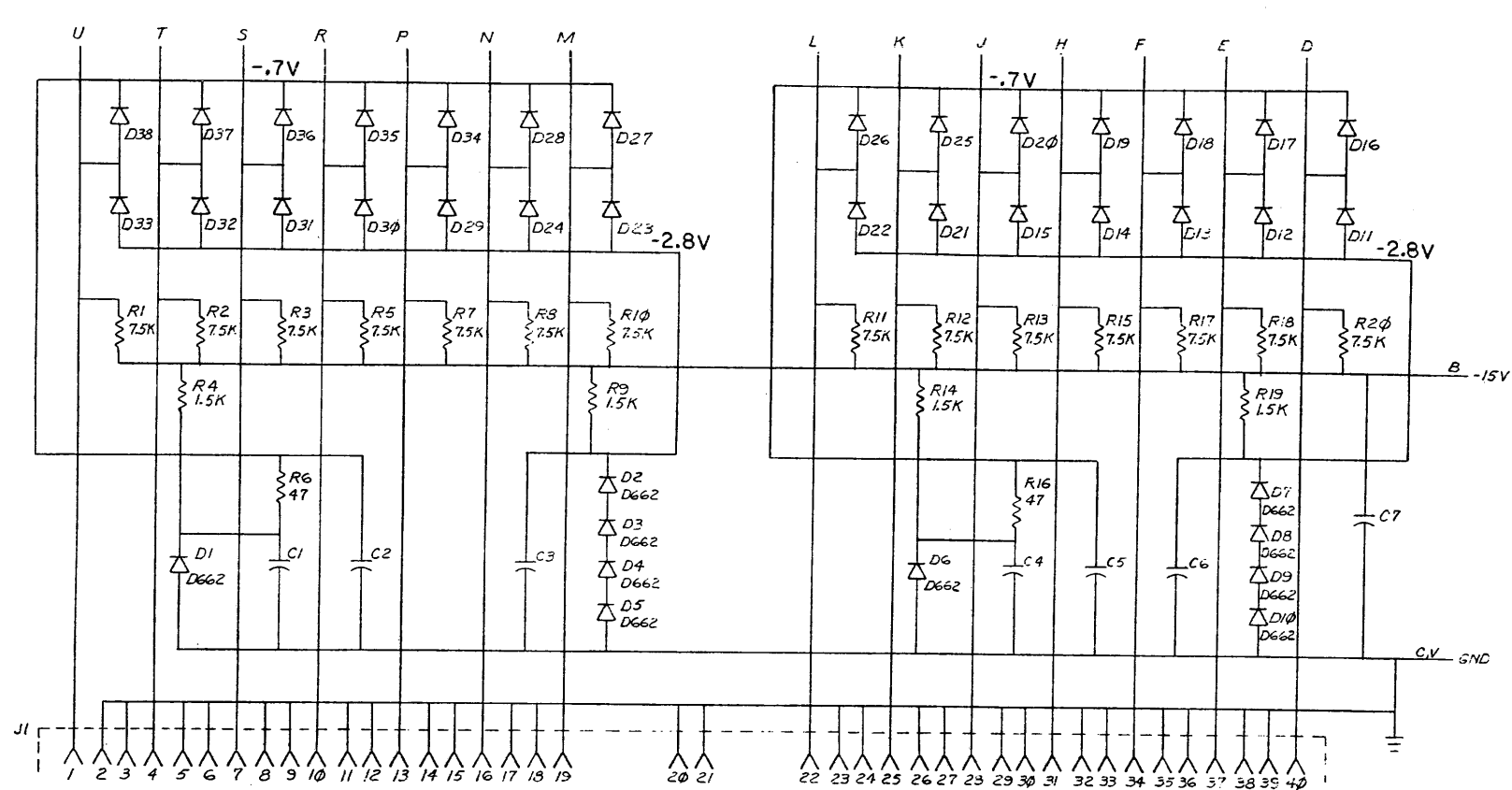


This drawing and specifications, herein, are the property of Digital Equipment Corporation and shall not be reproduced or copied or used in whole or in part as the basis for the manufacture or sale of items without written permission.

1-3-6625 2
 A3H e38M/V 10001225



UNLESS OTHERWISE SPECIFIED
 ALL RESISTORS ARE 1/4W 5%
 ALL CAPACITORS ARE .01UF 100V 20%
 DIODES 11 THRU 33 ARE D664

QTY	REF DESIGNATION	DESCRIPTION	PART NO.	ITEM NO.
15		JUMPER INSULATED	900045	1
14	R1, 2, 3, 5, 7, 8, 10, 11, 12, 13, 15, 17, 18, 20	RES. 7.5K 1/4W 5%	1301422	1
4	R4, 9, 14, 19	RES. 1.5K 1/4W 5%	1300791	1
2	R6, 16	RES. 47 1/4W 5%	1300208	1
1	J1	CONNECTOR	1218071	1
28	D11 - 38	DIODE D664	1100114	7
10	D1 - 10	DIODE D662	1100113	6
7	C1 thru C7	CAP. .01UF 100V 20% DISC	1001610	5
1		ETCHED CIRCUIT BOARD	900055	4
		MODULE ECO HISTORY	B-ME-8766-0-6	1
		ASSY/DRILLING HOLE LAYOUT	D-AH-8766-0-5	2
		X-Y COORDINATE HOLE LOCATION	K-C9-8766-0-4	1

PARTS LIST				
QTY	REF DESIGNATION	DESCRIPTION	PART NO.	ITEM NO.
		ETCH BOARD REV	A	

CHK	CHANGE NO.	REV	DESCRIPTION	DATE

DEC NO.	EIA NO.	DEC NO.	EIA NO.

SEMICONDUCTOR CONVERSION CHART	
SCALE	SHEET / OF /

DATE	DATE	DATE	DATE	DATE
12/22/72	1/14/72	4/15/72	4/15/72	1/19/72

SIZE CODE	NUMBER	REV.
DCS	G766-0-1	

REV
 NUMBER
 G766-0-1
 DCS
 1301422
 1300791
 1300208
 1218071
 1100114
 1100113
 1001610
 900055
 B-ME-8766-0-6
 D-AH-8766-0-5
 K-C9-8766-0-4